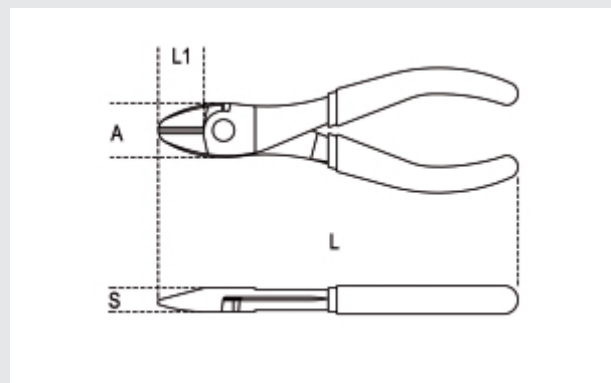


UNI/ISO 5749



art.	L mm	L1 mm	≡ mm	A mm	S mm	g
010840004	140	20	1,4	25,0	11,0	150
010840006	160	22	1,6	28,0	12,0	210
010840008	180	25	1,8	32,0	14,0	230
010840010	200	28	2,0	36,0	16,0	350